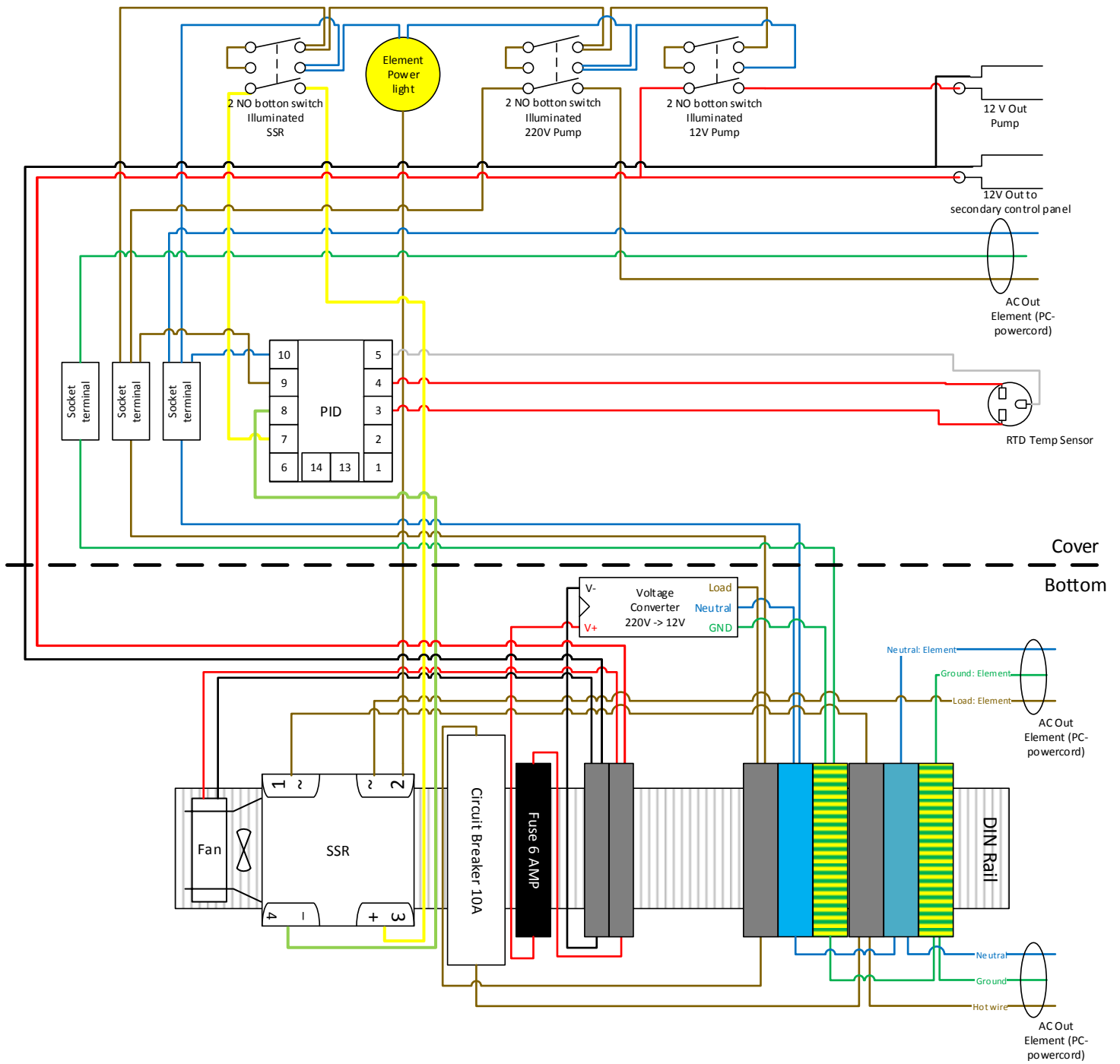
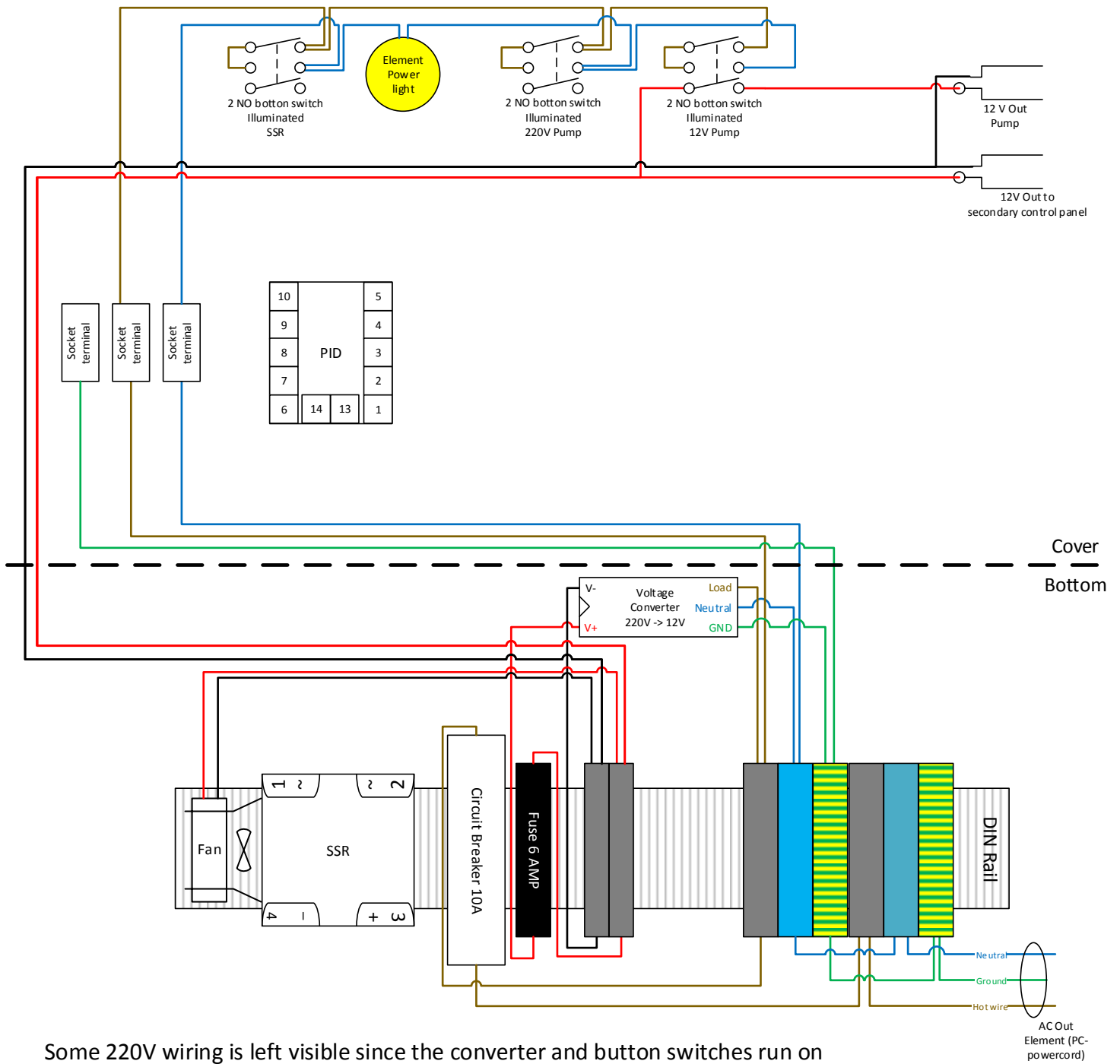


# Main

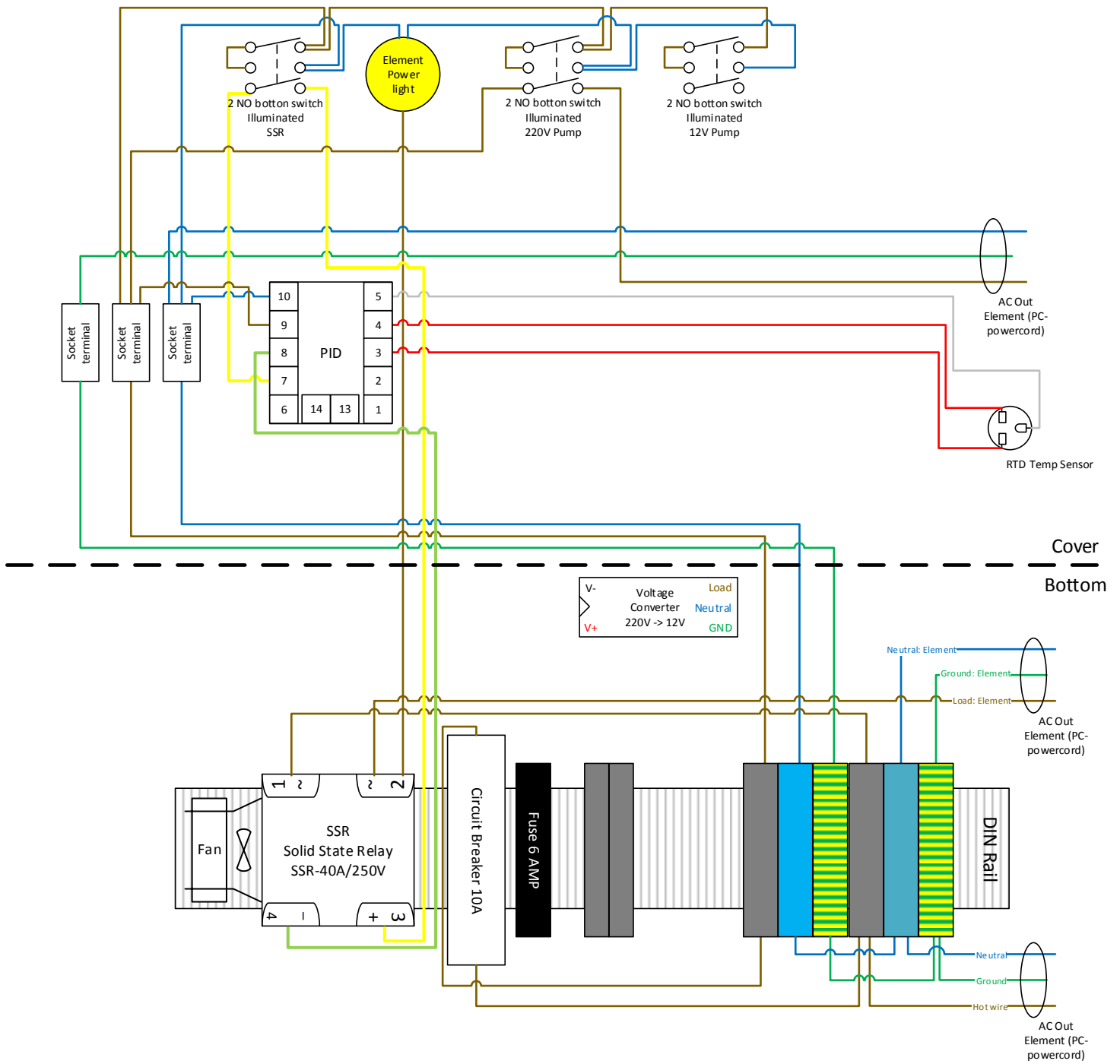


# 12V Wiring

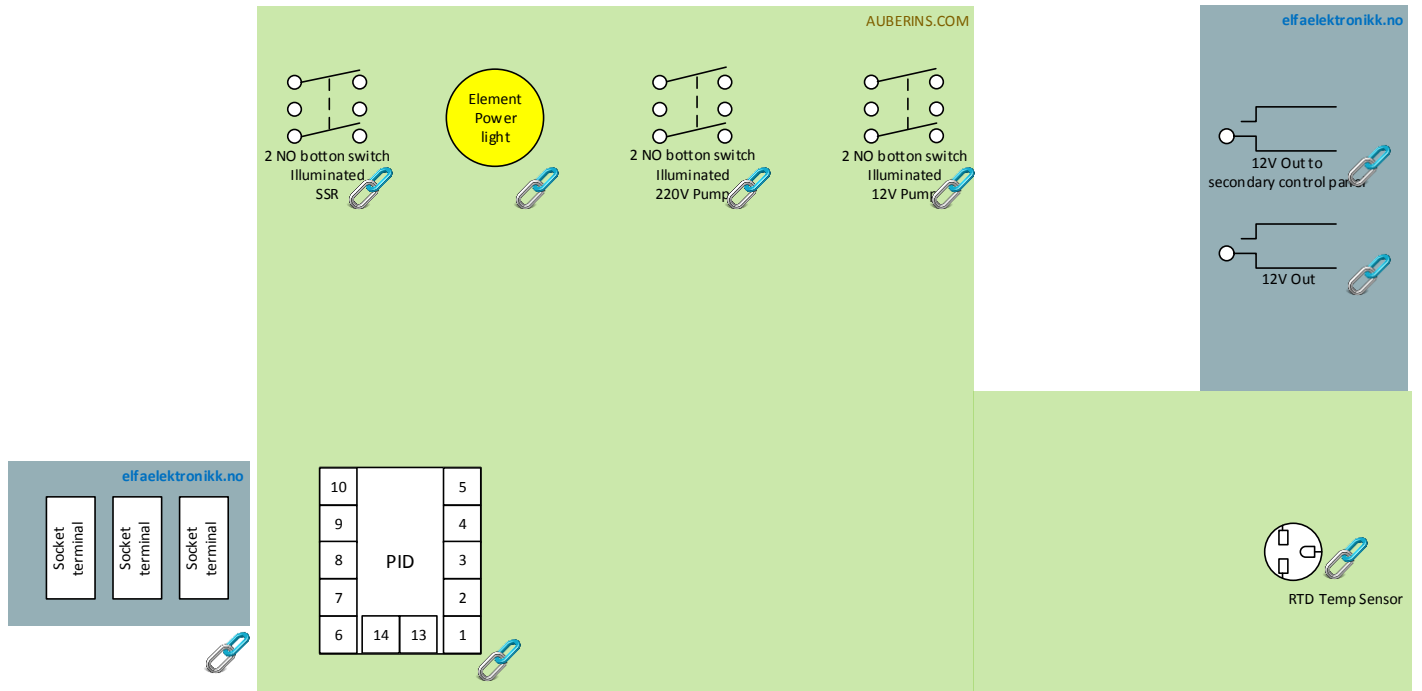


Some 220V wiring is left visible since the converter and button switches run on 220V in this setup

# 220V Wiring & PID



# Shopping



Cover

Bottom

